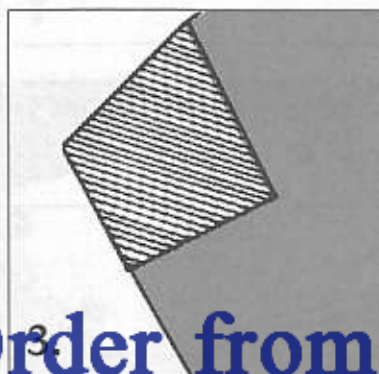
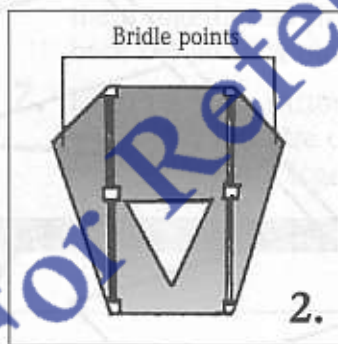
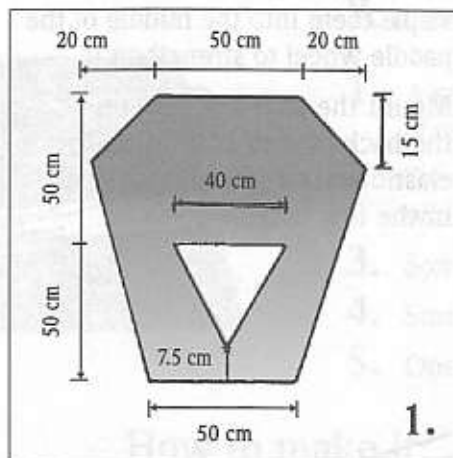


An Easy Kite



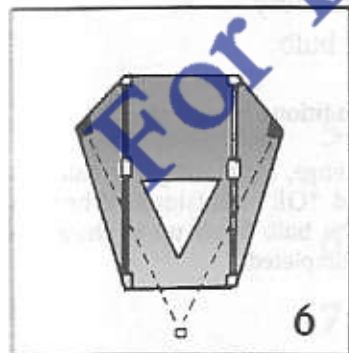
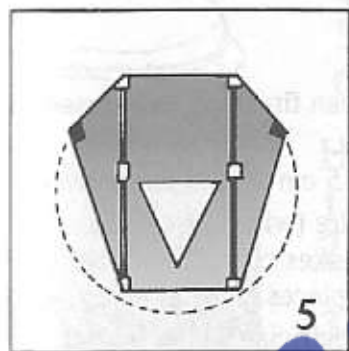
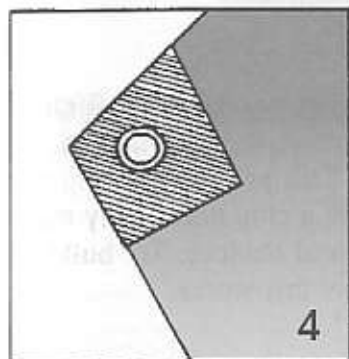
You need:

1. A piece of polyethylene plastic 100 cm long and 90 cm wide. The best is 200 gauge polyethylene from a hardware store, but you can also use a strong garbage bag.
2. Two spars 95 cm long and 6 mm thick. Bamboo garden canes split length-wise down the middle will do, or you can buy thin mouldings from a hardware or building supplies store.
3. Plastic tape at least 3.75 cm wide
4. Kite line or other thin string

How to make it:

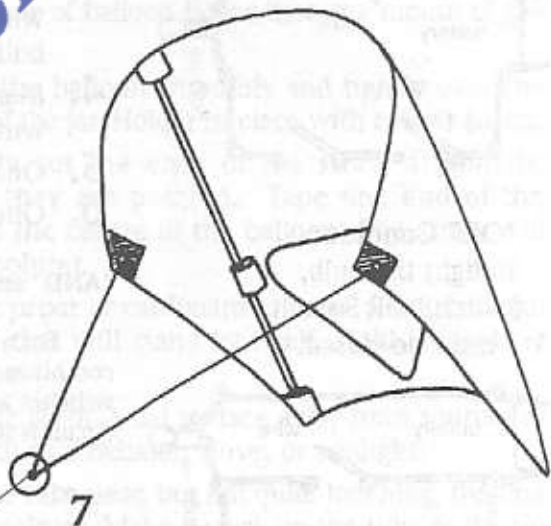
1. Measure and cut the plastic carefully.
2. Lay spars on the kite and tape down. Notice where the middle points are for the next step.
3. Strengthen the bridle points on the plastic by putting tape on both sides.

Order from ScoutShop.ca



4. Punch a hole at each bridle point. If you can, strengthen the holes with metal eyelets.
5. Tie a string 3.6 m long between the holes for your bridle.
6. Tie a loop in the *exact* centre of your bridle.
7. Attach the flying string to the loop.
8. Take out your kite on a breezy day and let it go!

Note: This type of kite, known as a sled kite, can deflate if hit by a sudden sidewind. They are best flown in a steady breeze.



*This is how long and high I flew
my kite:*

Order from ScoutShop.ca

(Time)

(Height)