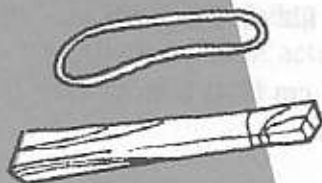


A Paddle Boat



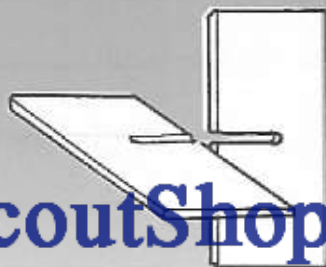
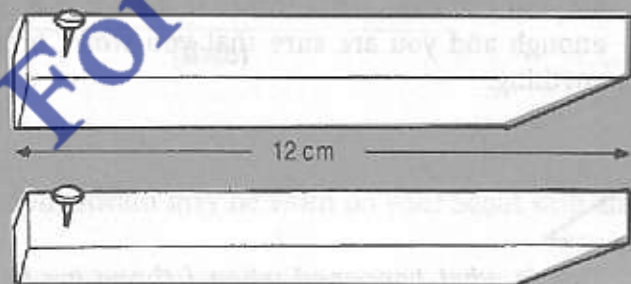
You need:

1. A small piece of plywood 6 mm thick, about 5 cm wide, and 8 cm long
2. Two pieces of wood 18 mm thick, 18 mm wide and 12 cm long
3. Some coated cardboard from a milk carton
4. Small nails
5. One or two elastic bands about 5 cm long



How to make it:

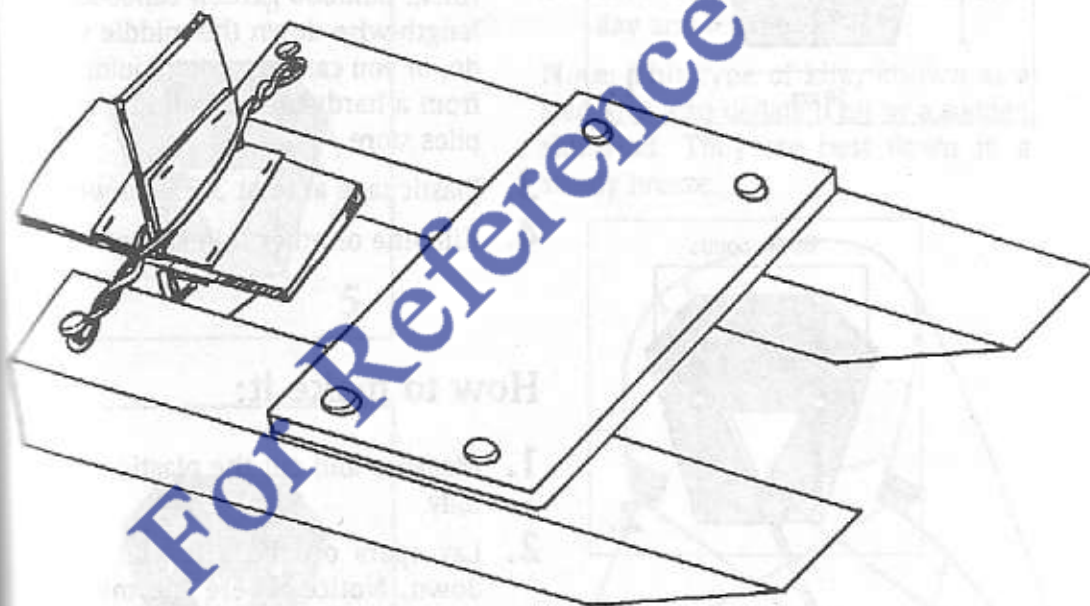
1. Cut the ends of the two pieces of wood on a diagonal, and put them together as shown in the diagram. The two nails at the back should stick out a bit so that they will hold the elastic.
2. From the milk carton, cut two pieces 7.5 cm long and 2.5 cm wide. In the centre of each, cut notches half-way across so that you can fit them together to make a paddle wheel.



Order from ScoutShop.ca



3. Cut squares of cardboard 2.5 cm by 2.5 cm. Fold them in half and staple them into the middle of the paddle wheel to strengthen it.
4. Mount the paddle wheel on the back of your boat using the elastic and two nails as shown in the first diagram.



I sailed my paddle boat _____

(where)

and it worked just **Order from ScoutShop.ca**